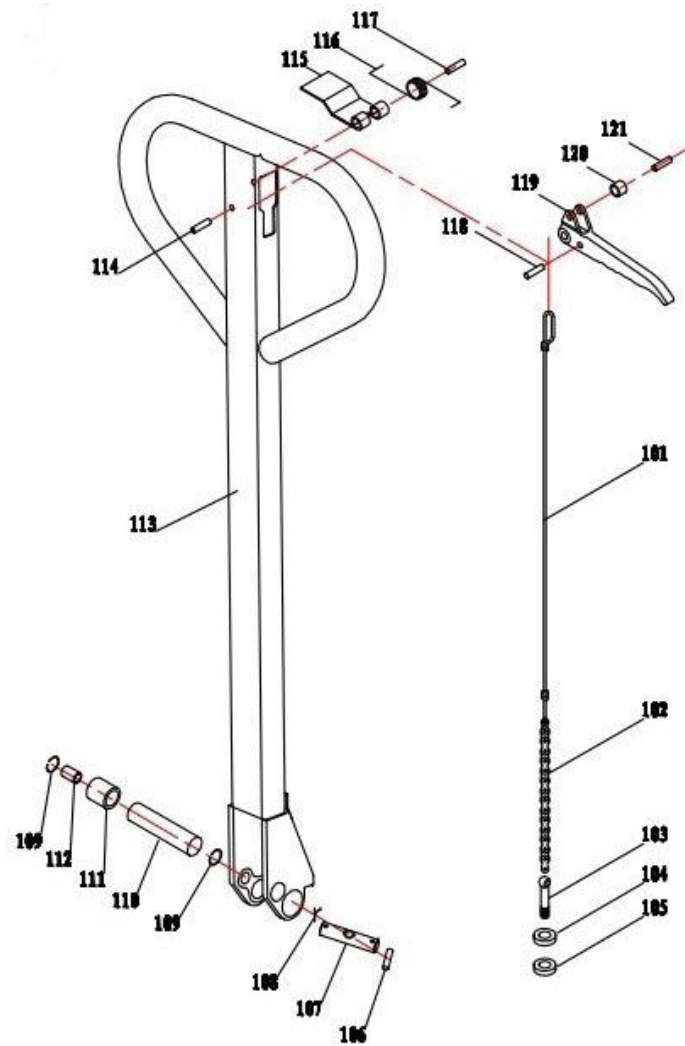


CBY.JC HAND PALLET TRUCK

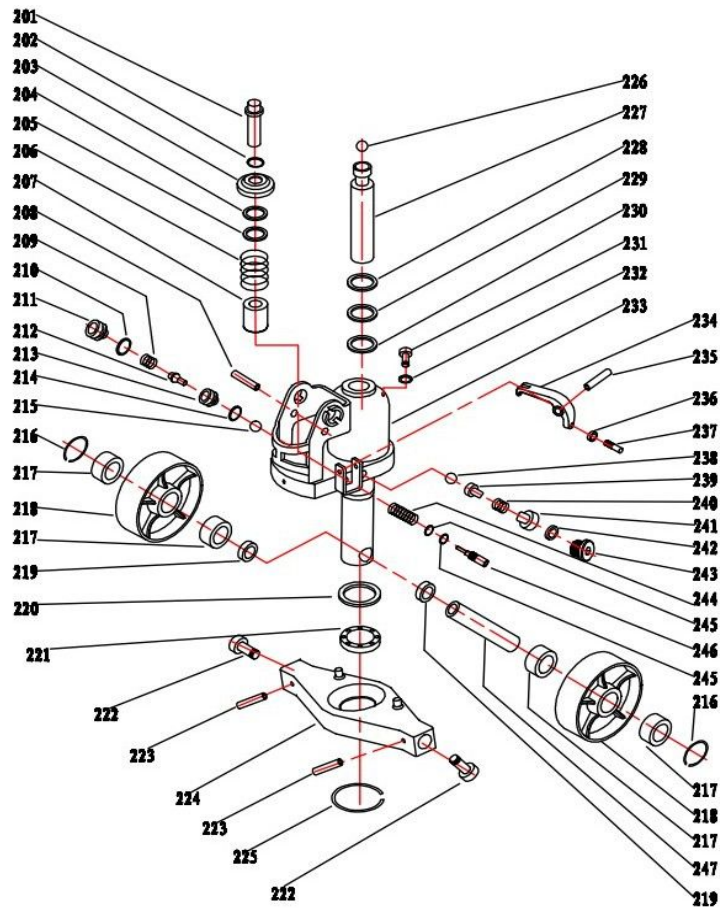
SPARE PART MANUAL





Parts of Handle welding prat

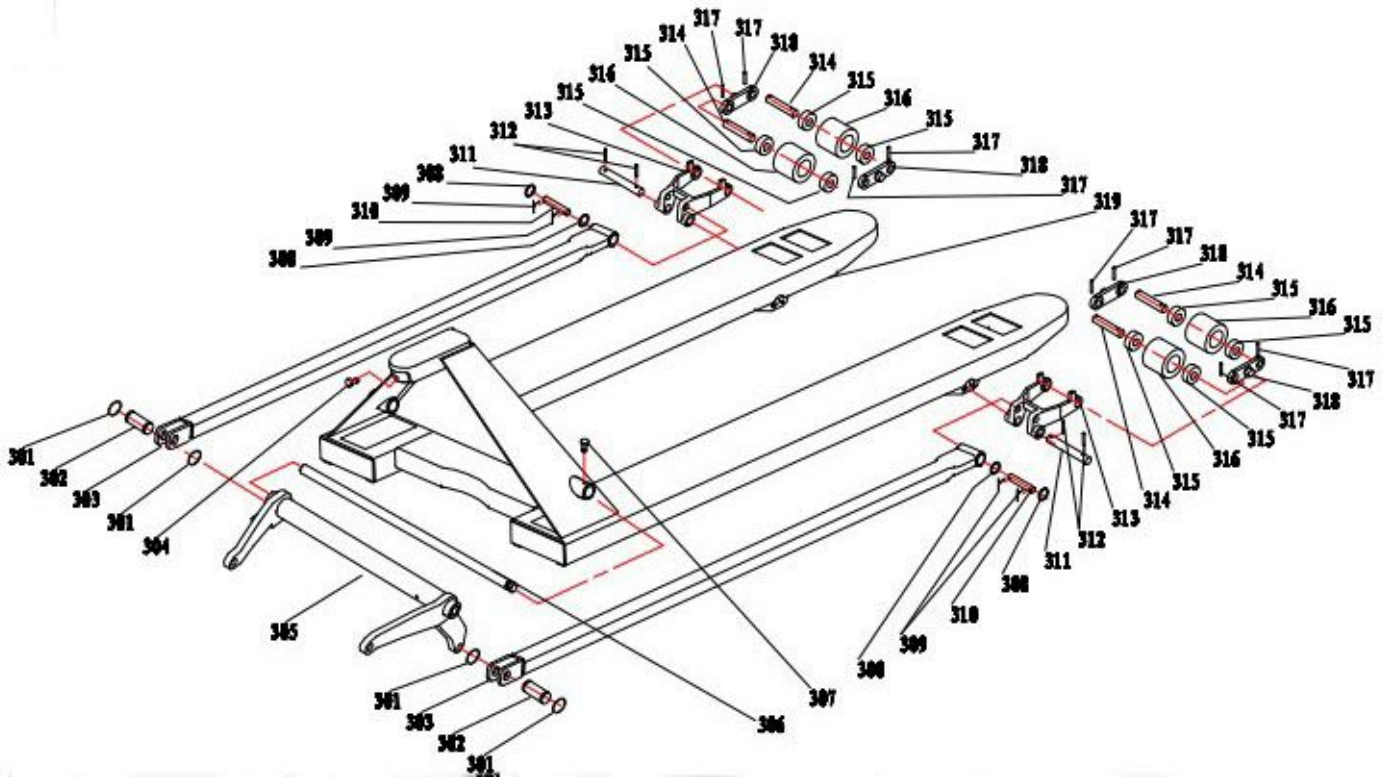
NO.	Description	Qty	NO.	Description	Qty
101	Pulling rod	1	112	Roller cover	1
102	Chain	1	113	Handle welding part	1
103	Drop bolt	1	114	Elastic pin	1
104	Hexagonal nut	1	115	Return shrapnel	1
105	Metalloid nut	1	116	Return spring	1
106	Elastic pin	1	117	Elastic pin	1
107	Positioning bearing	1	118	Elastic pin	1
108	Open pin	1	119	control handle	1
109	Check ring for bearing	2	120	Handle wheel	1
110	Roller bearing	1	121	Elastic pin	1
111	Roller	1			



Parts of oil Pump

No	Name	Qty	No	Name	Qty	No	Name	Qty
201	Pump core	1	217	Bearing	4	233	hydro-cylinder	1
202	Check ring	1	218	Rearing wheel	2	234	Control arm	1
203	Spring gland	1	219	cover	2	235	Elastic pin	1
204	Anti-dust ring	1	220	Oil pump gasket	1	236	Screw	1
205	Sealing ring	1	221	Bearing	1	237	Fasten screw	1
206	Pump core spring	1	222	Connecting bearing	2	238	Steel ball	1
207	Small pump	1	223	Elastic pin	2	239	Safety valve spring socket	1
208	Limit lever	1	224	Bearing board	1	240	Safety value spring	1
209	High pressure spring	1	225	Check ring for bearing	1	241	Safety valve pressure screw	1
210	Grouped gasket	1	226	Steel ball	1	242	Grouped gasket	1
211	High pressure cap	1	227	Piston rod	1	243	Oil fill plug	1
212	High pressure value core	1	228	Anti-dust ring	1	244	Top rod spring	1

213	High pressure valve body	1	229	"O"sealing ring	1	245	"O"sealing ring	1
214	"O"sealing ring	1	230	Sealing ring	1	246	Top rod	1
215	Steel ball	1	231	Oil fill plug	1	247	Rear wheel bearing	1
216	Rand	2	232	Sealing ring	1			



Parts of Body Frame

NO.	Description	Qty	NO.	Description	Qty
301	Washer for bearing	4	311	Positioning bearing	2
302	Fork ear connector	2	312	Elastic pin	4
303	Pushing rod welding	2	313	Front wheel frame	2
304	Inner hexagonal screw	1	314	Front wheel bearing	4
305	Lever frame	1	315	Bearing	8

306	Lever bearing	1	316	Front wheel	4
307	Inner hexagonal screw	2	317	Elastic pin	8
308	Gasket	4	318	Double-wheel side board	4
309	Open pin	4	319	Body frame	1
310	Pushing rod connector	2			