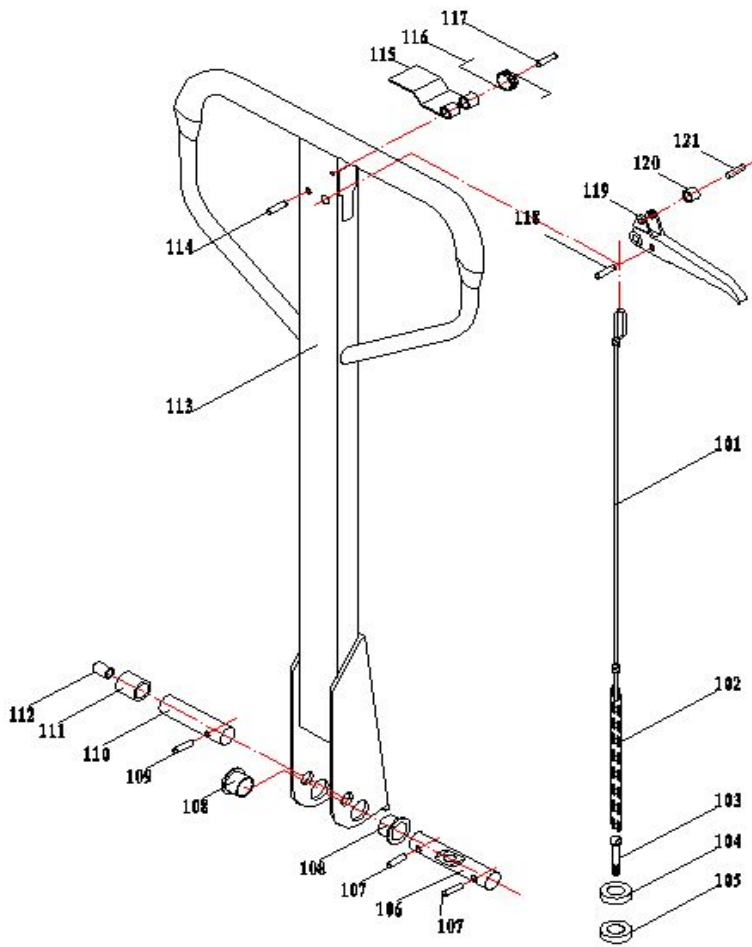


CBY.AC HAND PALLET TRUCK
SPARE PART MANUAL & PRICE LISTS

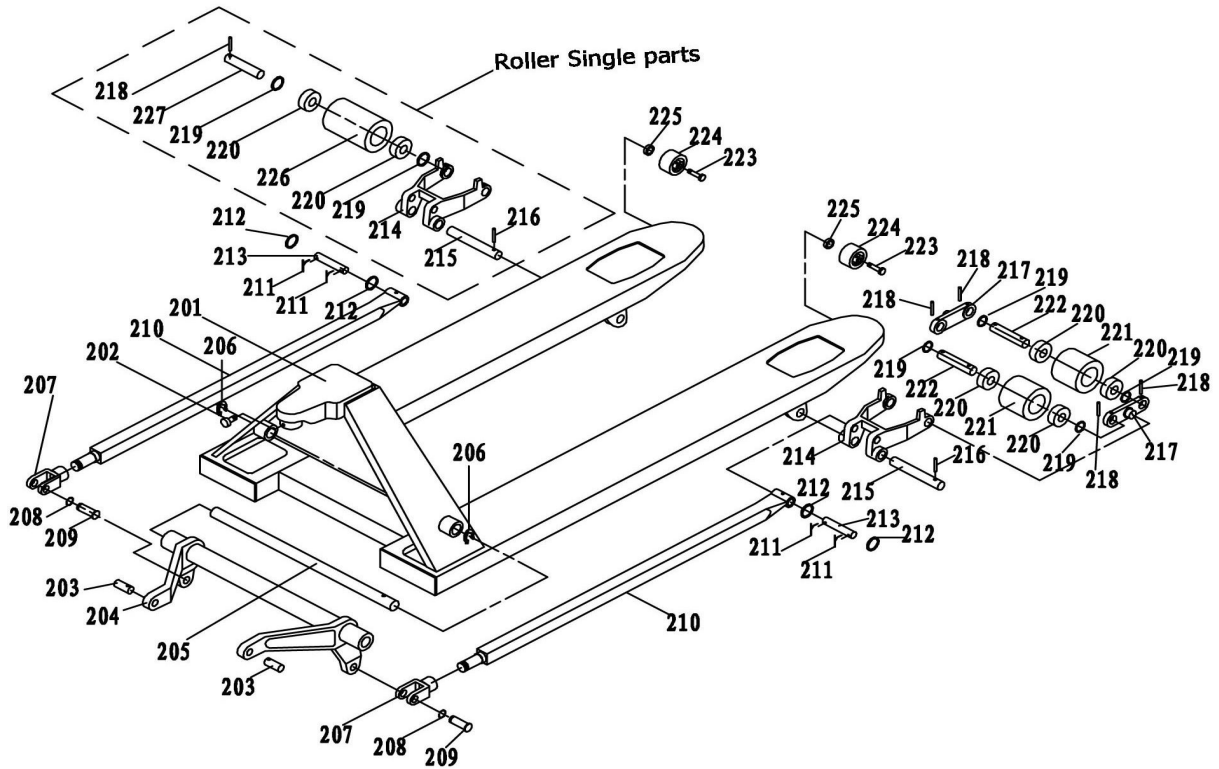


1. HANDLE ASS'Y



NO.	Description	Qty	NO.	Description	Qty
101	Pulling rod	1	112	Roller Bush 1517165	1
102	Chain 04B-1-21	1	113	Handle	1
103	Drop bolt M5X30	1	114	Elastic cylindrical pin ϕ 6X30	1
104	Hexagonal nut M5	1	115	Return shrapnel	1
105	Metalloid nut M5	1	116	Return spring	1
106	Positioning shaft	1	117	Elastic cylindrical pin ϕ 4X30	1
107	Elastic cylindrical pin ϕ 5X35	2	118	Elastic cylindrical pin ϕ 4X10	1
108	Spacer Bush 2023165	2	119	Control handle	1
109	Elastic cylindrical pin ϕ 4X20	1	120	Roller handle	1
110	Roller shaft	1	121	Elastic cylindrical pin ϕ 4X16	1
111	Roller	1			

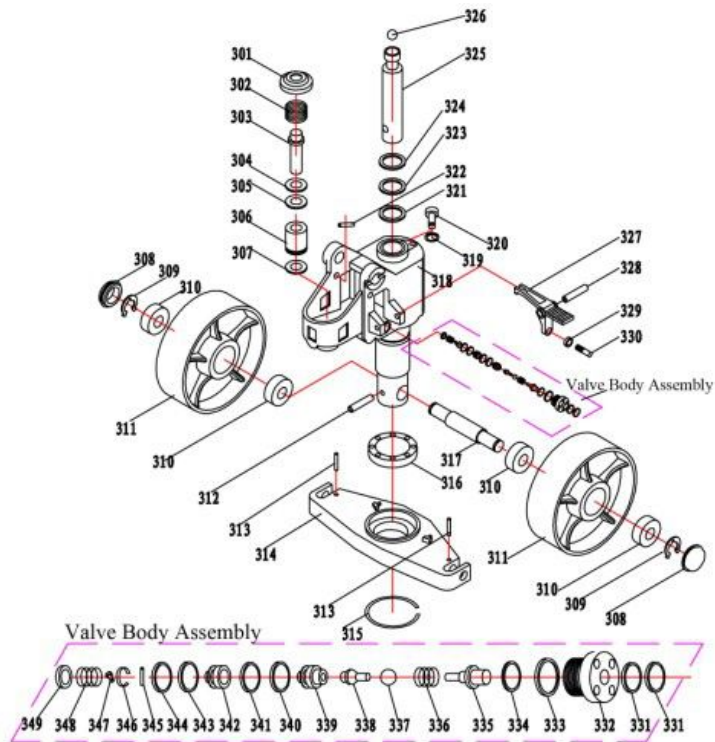
2. FORK FRAME ASS'Y



NO.	Description	Qty	NO.	Description	Qty
201	Fork frame	1	219	Gasket $\phi 20 \times \phi 28 \times 2$	8
202	Inner hexagonal screw M6X14	1	220	Bearing 6204	8
203	Connecting bearing	2	221	Load Roller tandem $\phi 80 \times 70$	4
204	Lever frame	1	222	Roller Axle	4
205	Lever shaft	1	223	Hexagonal screw M6x45	2
206	Elastic Rang	2	224	Climbing wheel $\phi 50 \times 20$	2
207	Push Rod Connector	2	225	Metalloid nut M6	2
208	Washer $\phi 16$	2	Single Roller Parts		
209	Connecting Shaft	2	214	Roller frame	2
210	Push Rod	2	215	Positioning Shaft	2
211	Cotter Pin $\phi 3.2 \times 24$	4	218	Elastic cylindrical pin $\phi 5 \times 35$	2
212	Gasket $\phi 16 \times \phi 25 \times 2$	4	219	Gasket $\phi 20 \times \phi 28 \times 2$	4
213	Rod Connecting Shaft	2	220	Bearing 6204	4
214	Roller frame	2	226	Load roller single $\phi 80 \times 93$	2
215	Positioning Shaft	2	227	Roller Axle	2
216	Elastic cylindrical pin $\phi 5 \times 30$	2	218	Elastic cylindrical pin $\phi 5 \times 35$	4
217	Side Plate Roller double	4			
218	Elastic cylindrical pin $\phi 5 \times 35$	8			

3. HYDRAULIC OIL PUMP

CBY.AC



NO.	Description	Qty.	NO.	Description	Qty.
301	Spring gland	1	326	Steel ball $\phi 19$	1
302	Spring	1	327	Pedal control	1
303	Pump Plunger	1	328	Elastic cylindrical pin $\phi 8 \times 52$	1
304	Dust ring DHS18	1	329	Nut M8	1
305	Sealing ring UHS18	1	330	Fasten screw M8X20	1
306	Small pump	1		Valve Body Assembly	set
307	Copper sheet	1	331	O-ring $\phi 8 \times 1.8$	2
308	Dust cover	2	332	Copper Nut	1
309	Rand	2	333	O-ring $\phi 26 \times 2.4$	1
310	Bearing 6204	4	334	O-ring $\phi 10 \times 1.8$	1
311	Wheel $\phi 180 \times 50$	2	335	Rod	1
312	Elastic Pin $\phi 8 \times 50$	1	336	Spring	1
313	Elastic Pin $\phi 5 \times 30$	2	337	Steel ball $\phi 7$	1
314	Bearing Plate	1	338	Valve core	1
315	Check Ring $\phi 55$	1	339	Connecting Shaft	1
316	Ball Bearing 51111	1	340	Notched Ring 16x20x1.5	1
317	Wheel Shaft	1	341	O-ring $\phi 20 \times 2.4$	1
318	Pump Body	1	342	Valve Body	1
319	Bonded Washer	1	343	Notched Ring 14x18x1.5	1
320	Inner hexagonal screw M8X10	1	344	O-ring $\phi 18 \times 2.4$	1
321	Seal ring UHS35	1	345	Elastic cylindrical pin $\phi 2.5 \times 4$	2
322	Limit Rod	1	346	Leaf Spring	1
323	O-ring 35x3.55	1	347	Cross Recess Head Screw M2	1
324	Dust ring DHS35	1	348	Spring	1
325	Piston rod $\phi 35$	1	349	Gland	1